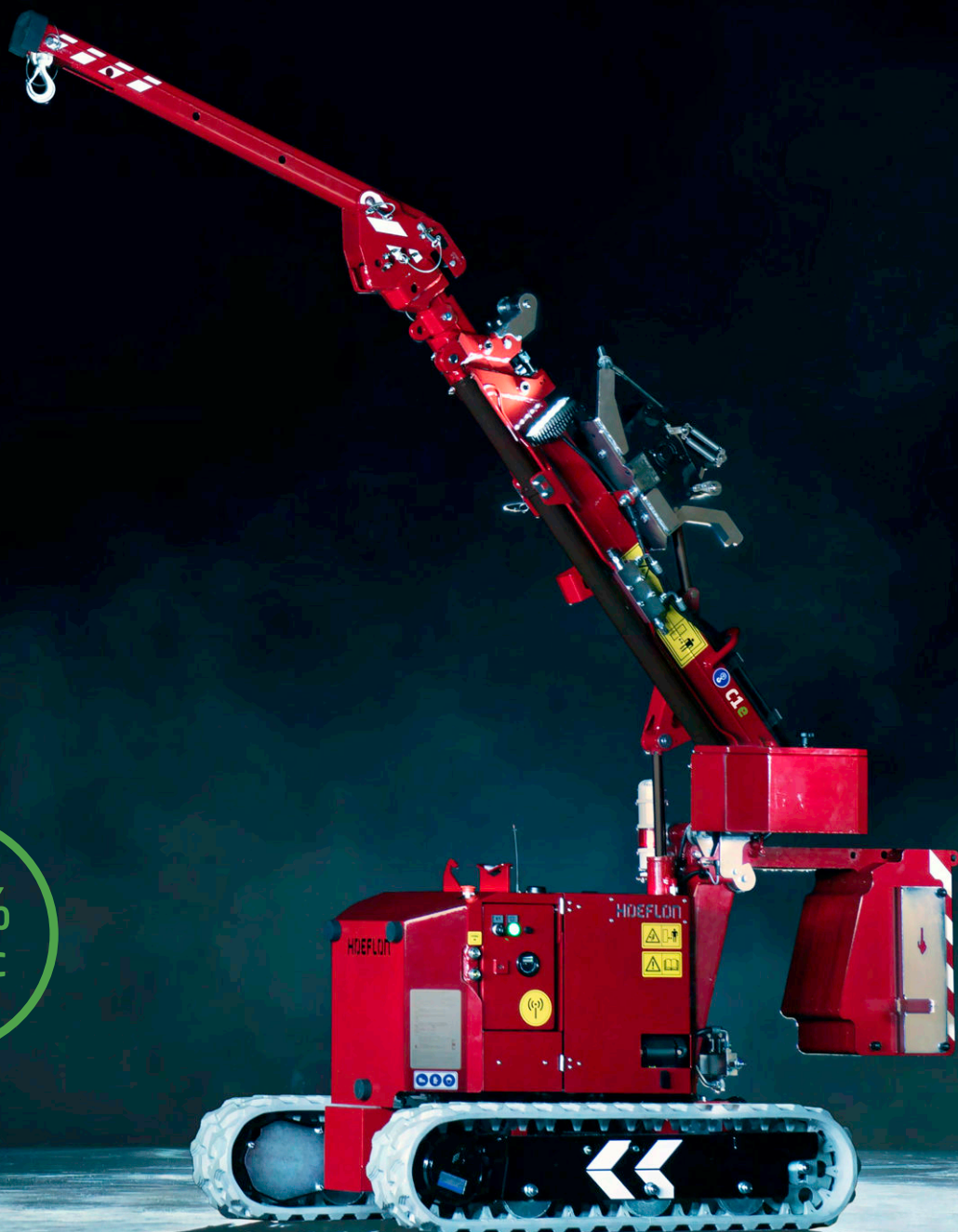


**HOEFLON®**

**C1e**



**Hoeflon. Good job.**

## Key specs

- Pick and carry
- Fully electric powered
- The most compact mini-crane
- Maximum capacity with minimum weight
- Removable counterweight



## Compact to the max

**Hoeflon customers cite the C1e's compactness and manoeuvrability as definite advantages.**

With its small dimensions, the C1e is easy to transport. Manoeuvring in tight spaces takes no effort with this machine. Moreover, the crane fits in a lift with ease. This is handy at construction sites and in industrial environments.



CO<sub>2</sub> neutral!

# 100% electric

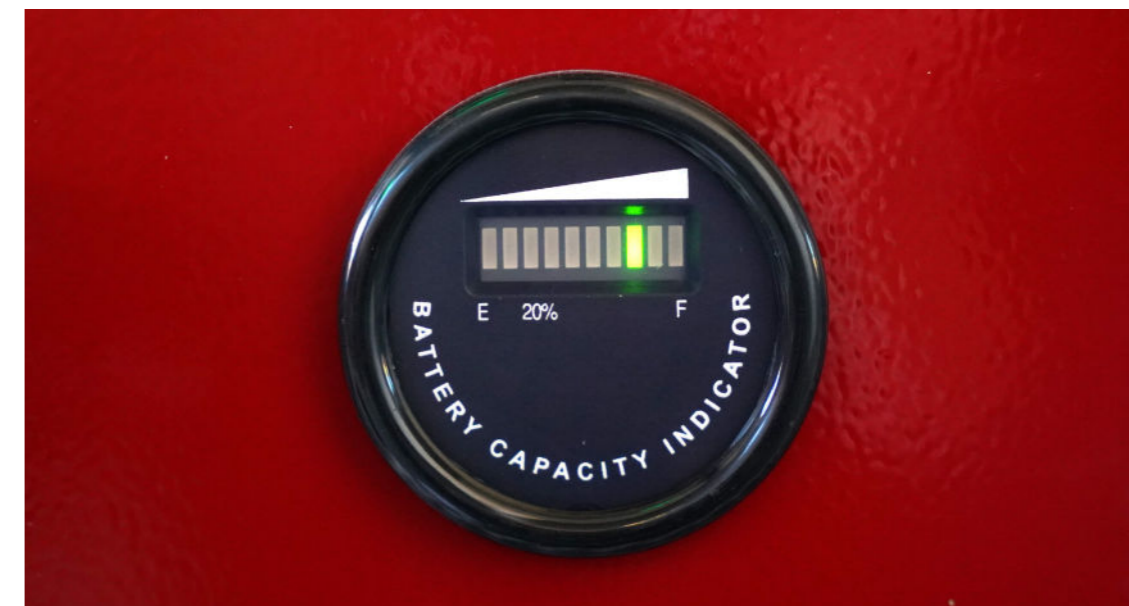
**The Hoeflon C1e is a fully electric mini-crane. That means CO<sub>2</sub> neutrality when you work with this machine. In more and more places, this is a firm requirement.**

A mini-crane is ideally suited for all-electric operation, because a mini-crane is often used inside or near a building where electric power is available. There are also places where there is no electricity. Fortunately, there are mobile energy systems available that provide you with temporary power.



## Information about the electric crane

At a 60% duty cycle, you can run the crane for five hours. The crane is fully charged again in ten hours.



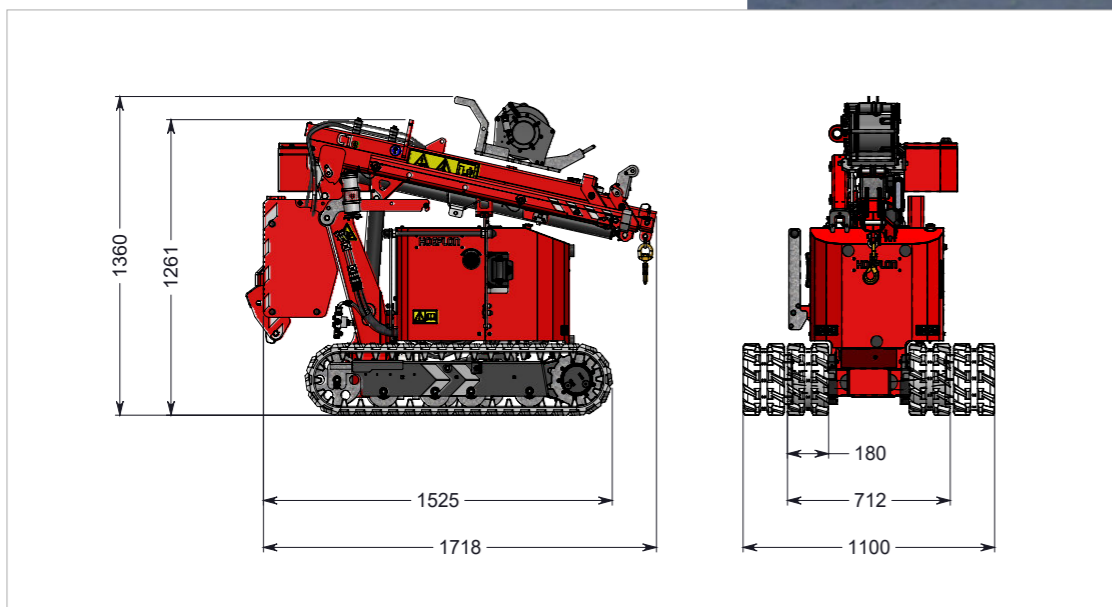
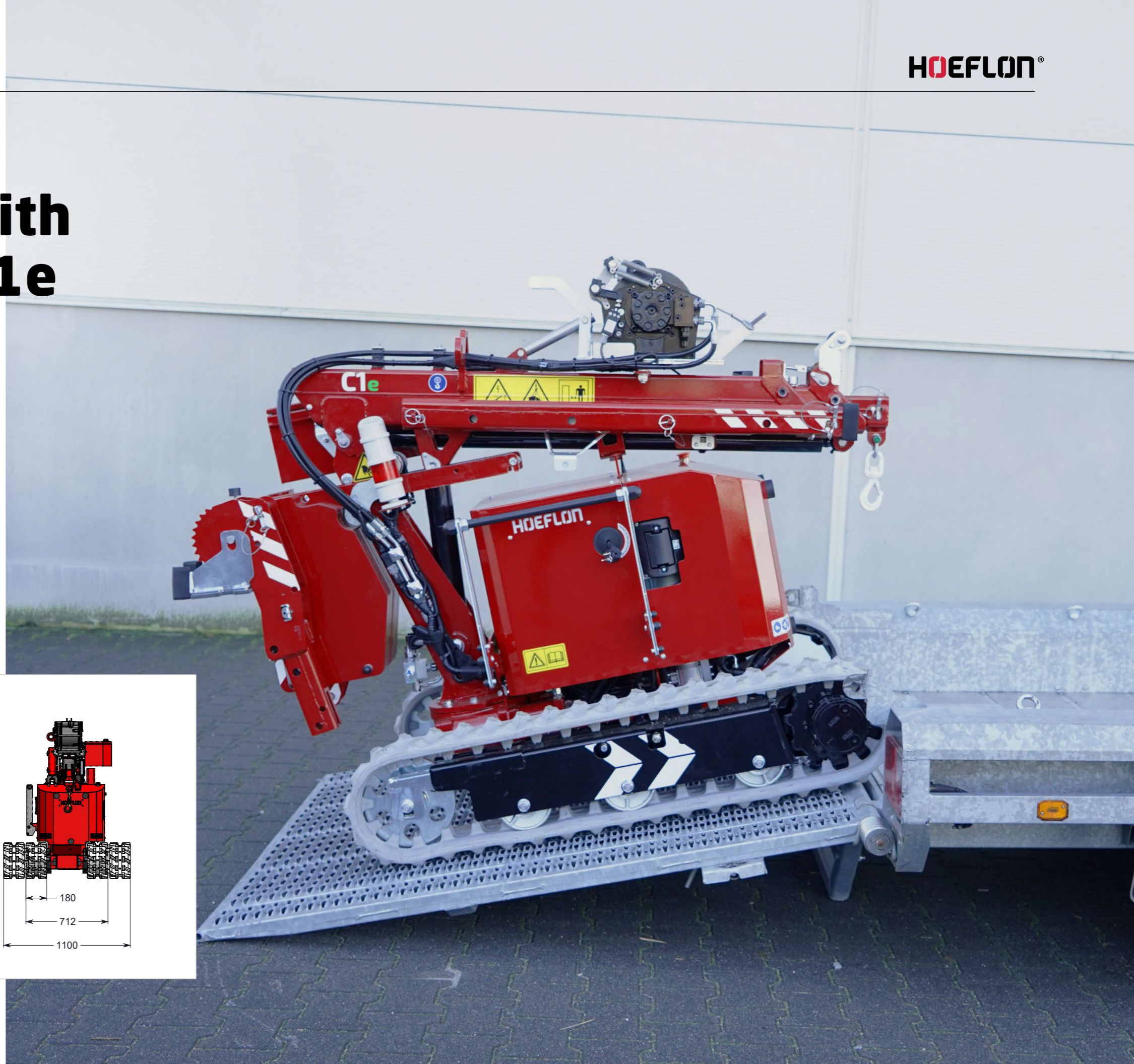
- You can work and charge at the same time. The mini-crane recharges as fast as it discharges
- The C1e can be used at temperatures of -10 to +40 °C
- Battery level is visible on the machine
- Recharging is possible with 230 V and 110 V single phase

On the move

# From A to B with the Hoeflon C1e

**Little powerhouse. At 1,030 kg, the C1e can definitely be called that. The crane can be transported with a standard commercial van. The C1e gets the maximum capacity out of a 1-tonne mini-crane.**

The C1e's compact size allows it to easily squeeze through tight spots. The crane is only 1.70 m long, 70 cm wide, and has a height that can be reduced to 1.36 m. That means narrow passages are no problem at all. Whether you are placing a window on the first floor or doing a maintenance job in a factory, the C1e does it all.



At work

# Lifting and hoisting

## Adjustable section with manual jib extension

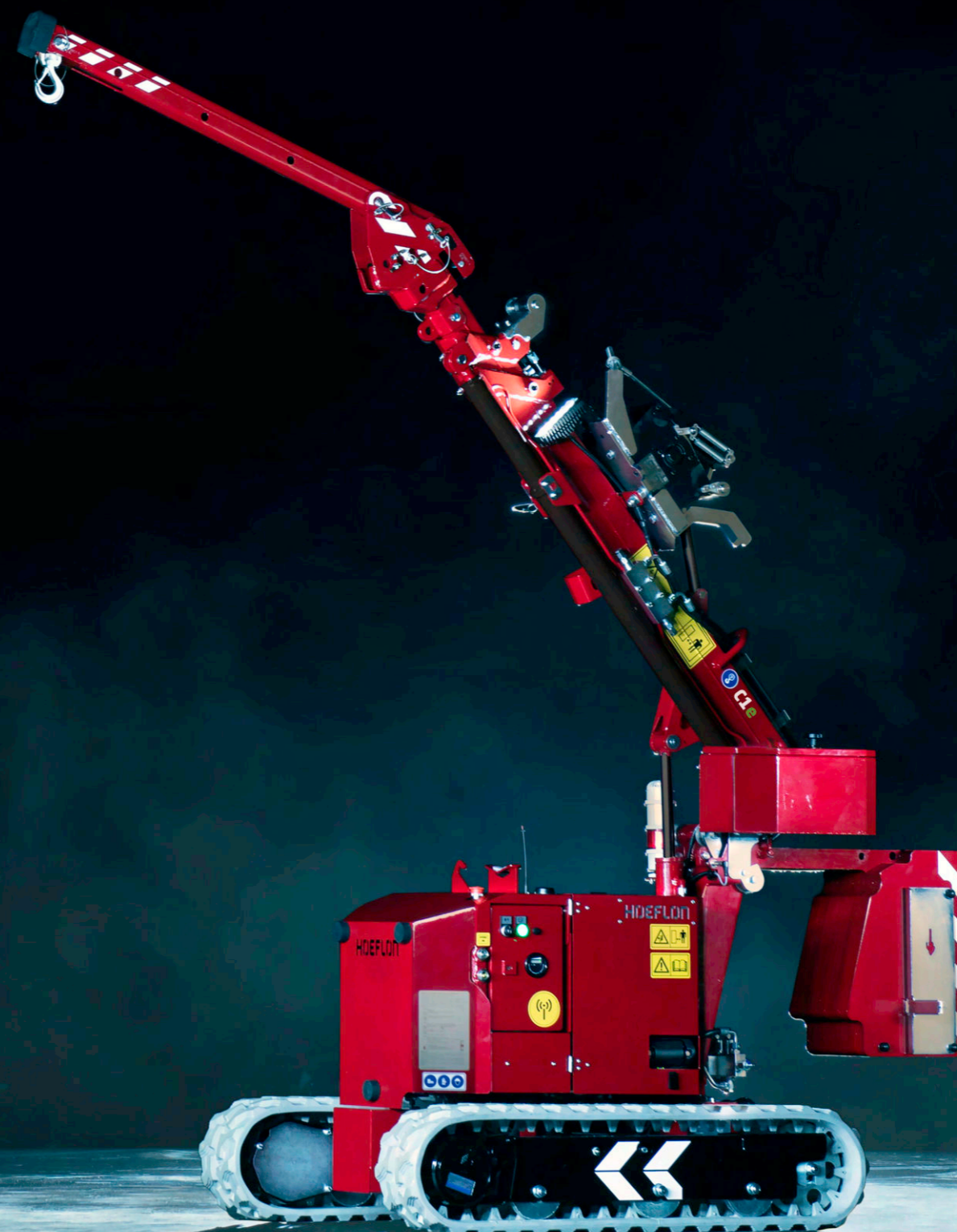
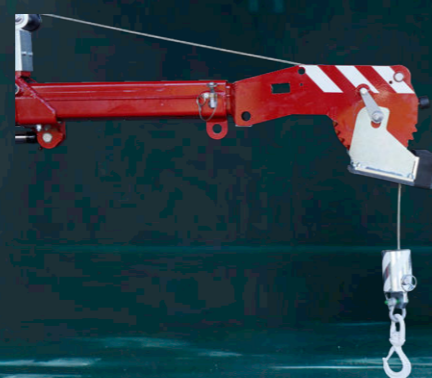
The adjustable section with manual jib extension is used as a jib on the boom. This adjustable section has a capacity of 500 kg. You use the manual jib extension, for example, when placing glass. This is done extremely gently thanks to the rubber head. The weight of the 30-degree section with manual jib extension is 17 kg.



## Winch cable and winch weight

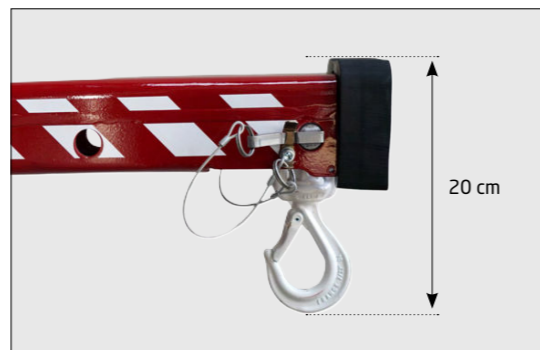
The C1e has a winch cable with a length of 25 m.  
The capacity of the winch is 500 kg.

The storage box contains the winch weight.  
The winch weight is 2.5 kg.



**Head dimensions**

The C1e has a compact winch head. This makes it possible to work in confined spaces.



**Lifting point**

The crane has one lifting point for lifting the crane in the transport position.

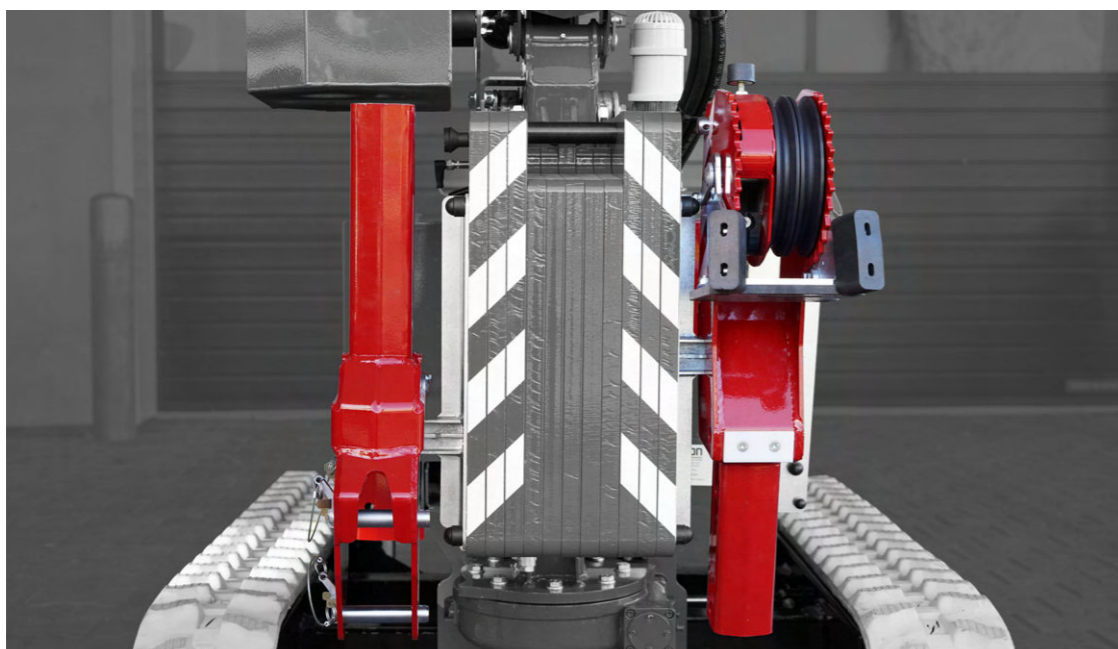
**Work lights**

The C1e has a work light on the mast as standard.



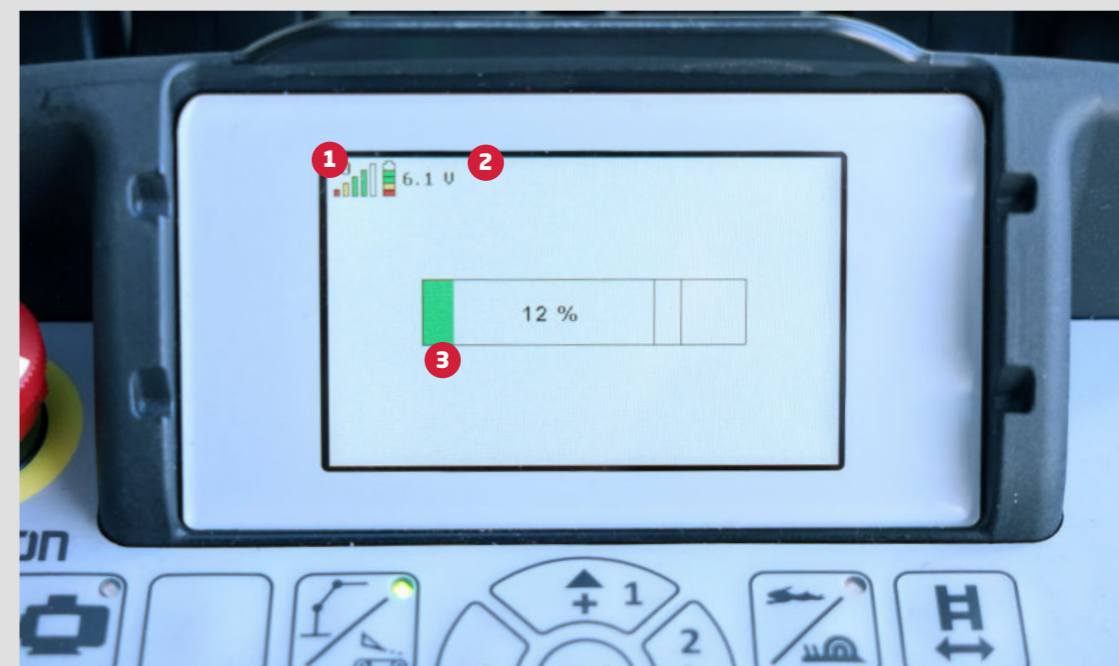
**Winch head and adjustable section**

There is room on the side of the counterweight to hang the winch head and adjustable section.



**Operation**

The lightweight remote has six paddle switches that provide very responsive control. The remote control can be used with either a neck or hip belt.



- 1 The channel
- 2 Battery
- 3 Capacity of the crane



### Retractable and extendable counterweight

The counterweight is manually extendable and retractable. The capacity of the crane increases when the counterweight is extended. The crane automatically knows whether the counterweight is extended or retracted.



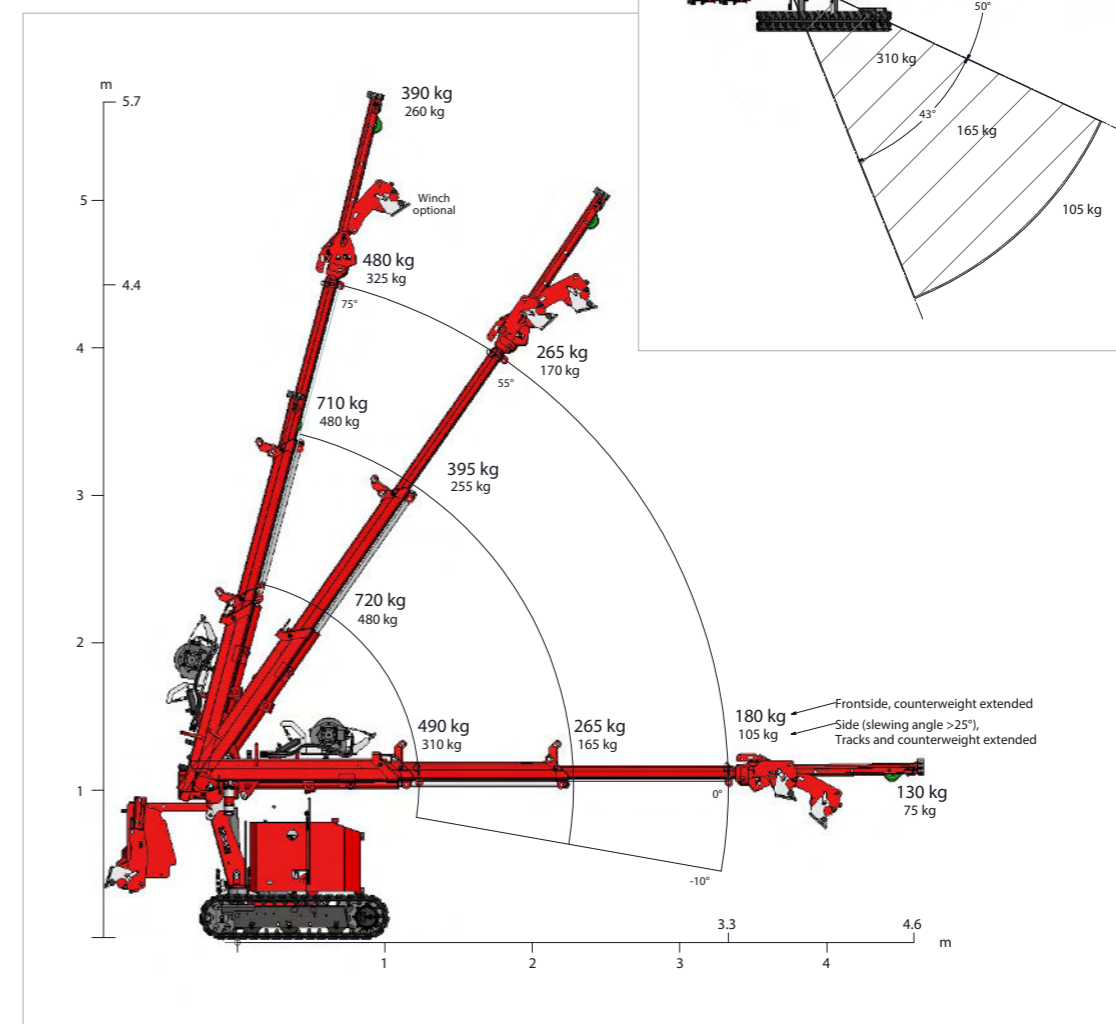
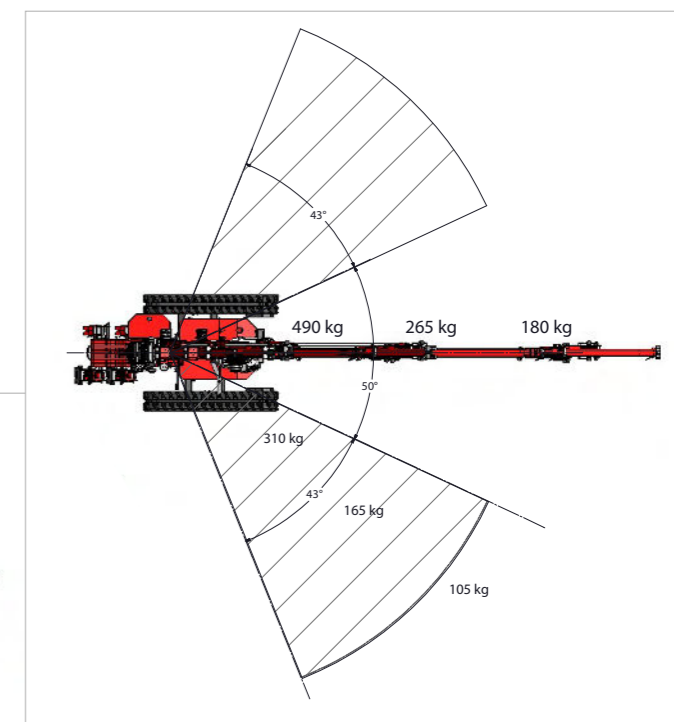
### Removable counterweight

The C1e can remove its own counterweight. This makes it possible to reduce the weight of the crane by 300 kg. This makes it possible to fit the C1e in any lift.



## Technical specifications

# Load charts

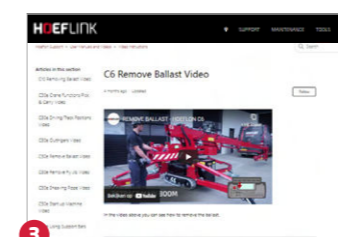
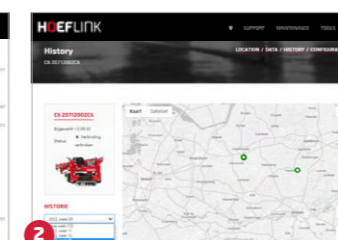
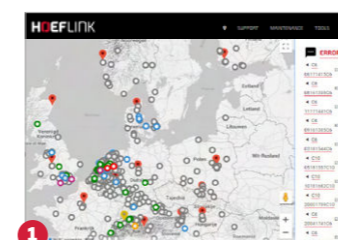
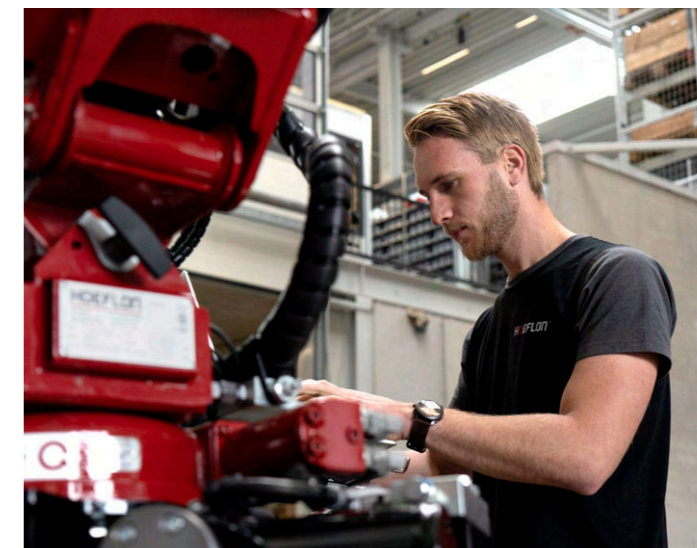






## Hoeflon and service **Solution guaranteed!**

Hoeflon stands for quality. In the unlikely event of a problem, we will solve it! Service is of paramount importance. The primary objective is ensuring that the crane is back in service as quickly as possible. Local service shops, service vans and trained service technicians are present in all markets that Hoeflon serves. This is your guarantee that you will be back to work in no time!



### Hoeflink

- 1 Remote support.
- 2 Up to three weeks of history available for review.
- 3 Access to the Hoeflon support database with explanatory videos, user manuals and more.

Interested?

**Then watch a demo  
at one of our dealers!**



### **Hoeflon dealers**

Hoeflon is represented on all continents. This means you have a personal point of contact. You can always reach out to them for purchase and service. Communication is always in your own language.

**Call one of our dealers for more information on the C1e, or one of the other Hoeflon cranes. You can also make an appointment for a comprehensive demo.**

**We look forward to your visit!**



# C1e

The little powerhouse!

**Hoeflon International B.V.**

Zwolleweg 2

3771 NR Barneveld, NL

T +31 (0)342 400288

sales@hoeflon.com

KVK 66408962

BIC ABNANL2A

BTW NL856539806B01

IBAN NL96ABNA0457114533

[www.hoeflon.com](http://www.hoeflon.com)